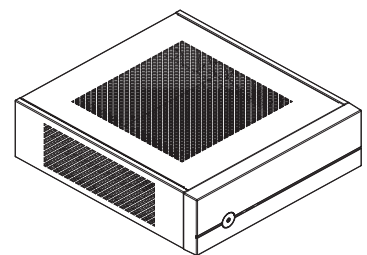
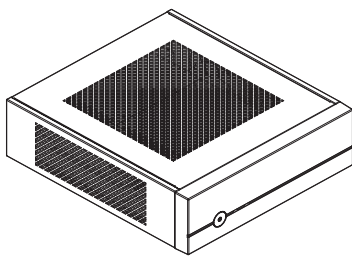


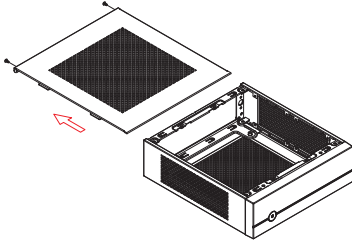
IX-CASE



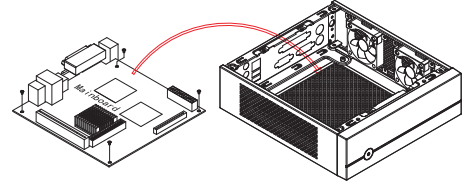
Installation guide

A. How to install a slim size ITX motherboard with 2 x 2,5" HDD (standard product IX-01B version)

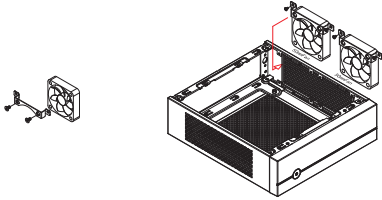
1. Unscrew the top cover and slide it off the chassis



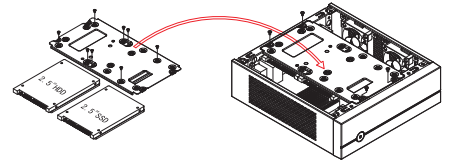
4. Fix the I/O bracket at the back of the chassis and install the motherboard.



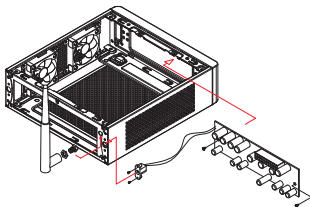
2. By using 2 screws install 5cm fan (optional) in a bracket and then screw the bracket to the side wall of the case. Repeat for the second 5cm fan (optional)



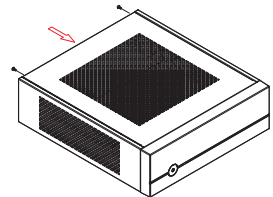
5. Install up to two 2,5" HDDs/SSDs by screwing them to the metal plate as shown. Then screw the plate to the chassis.



3. Install the DC-DC board at the front panel. Fix the PSU connector to the back of the chassis, either on the left or on the right side. Install optional (not provided) antenna at the back of the chassis.

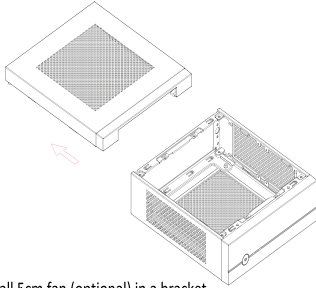


6. Slide the top cover onto the chassis and use two screws to fix it.

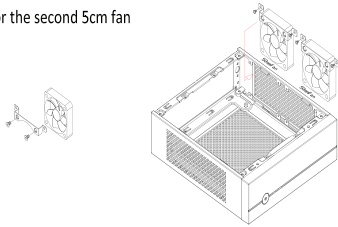


B. How to install slim size ITX motherboard with 2 x 2,5" HDD and a slim optical drive (optional kit MK-35DV)

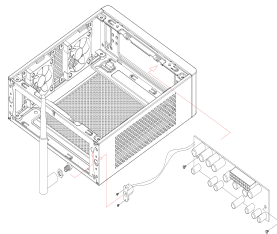
1. Unscrew the top cover and slide it off the chassis



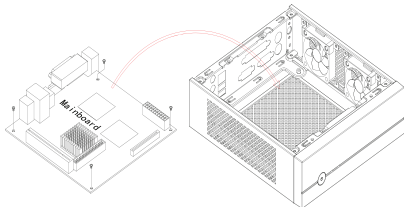
2. By using 2 screws install 5cm fan (optional) in a bracket and then screw the bracket to the side wall of the case. Repeat for the second 5cm fan



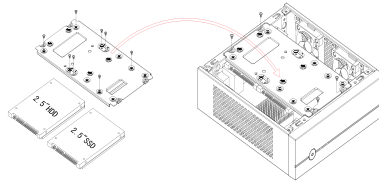
3. Install the DC-DC board at the front panel. Fix the PSU connector to the back of the chassis, either on the left or on the right side. Install optional



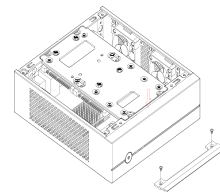
4. Fix the I/O bracket at the back of the chassis and install the motherboard.



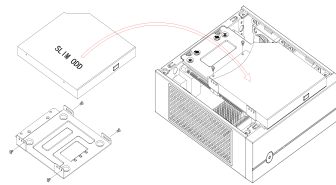
5. Install up to two 2,5" HDDs/SSDs by screwing them to the metal plate as shown. Then screw the plate to the chassis.



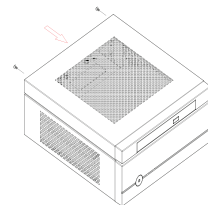
6. Fix the plastic part at the front of the case, using 2 screws



7. Fix the ODD bracket to the HDD plate. Then install the ODD device in it and fix using 4 screws.

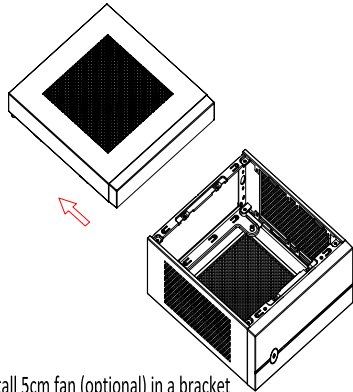


8. Slide the top cover onto the chassis and use two screws to fix it.

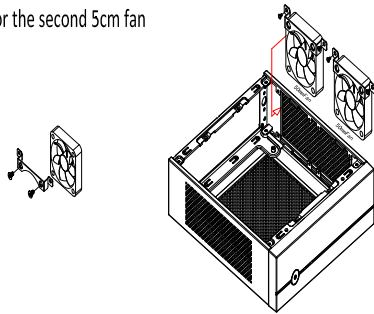


C. How to install slim size ITX motherboard with one 2,5" HDD and one 3,5" HDD (optional kit MK-35DV)

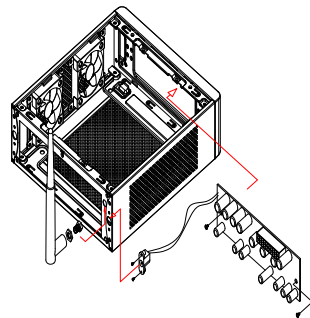
1. Unscrew the top cover and slide it off the chassis



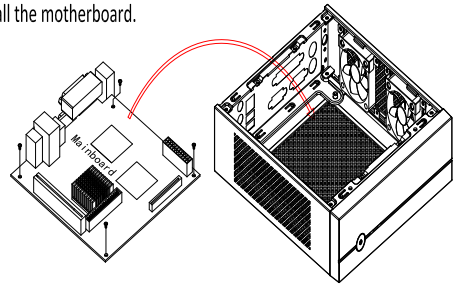
2. By using 2 screws install 5cm fan (optional) in a bracket and then screw the bracket to the side wall of the case. Repeat for the second 5cm fan



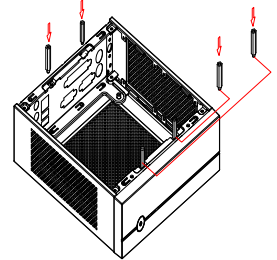
3. Install the DC-DC board at the front panel. Fix the PSU connector to the back of the chassis, either on the left or on the right side. Install optional



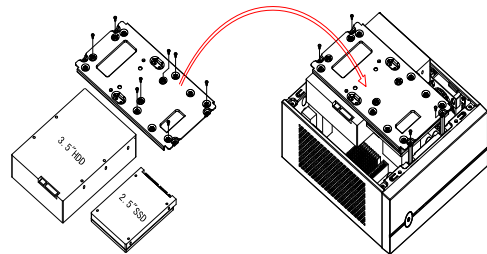
4. Fix the I/O bracket at the back of the chassis and install the motherboard.



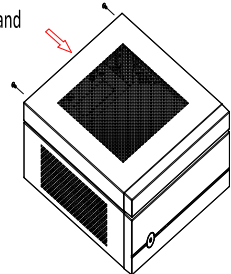
5. Put the 20mm metal pins in the 4 holes of the chassis



6. Fix the 3,5" HDD and the 2,5" HDD/SSD to the metal plate as shown. Then install the plate on the chassis by inserting the pins in the holes in the

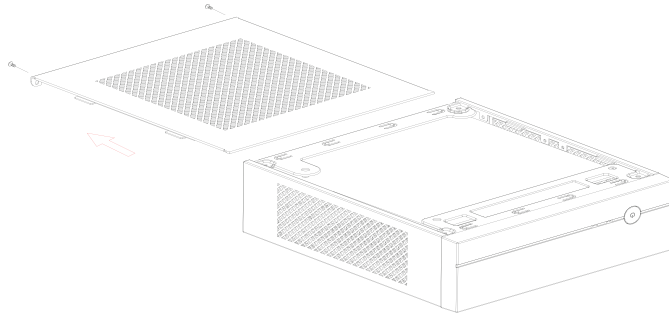


7. Slide the top cover onto the chassis and use two screws to fix it.

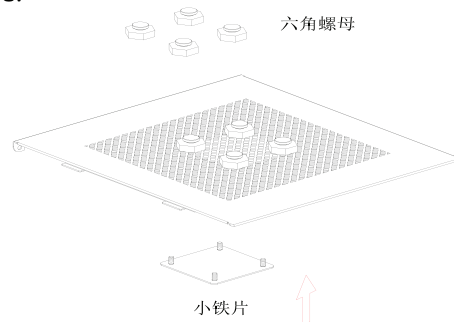


E. How to install a wall mounting kit (optional kit WMK-04)

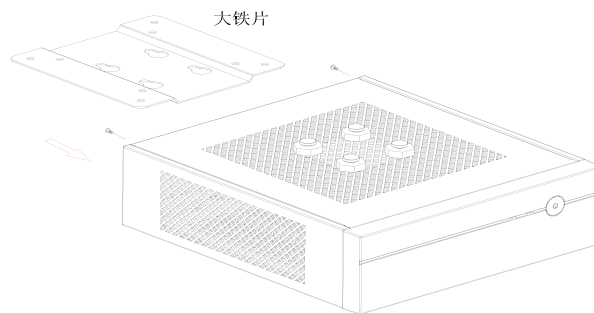
1. Unscrew the top cover and slide it off the chassis



2. Fix the small metal plate to the inside of the top cover using 4 screws.
Fix them using nuts on the outside.



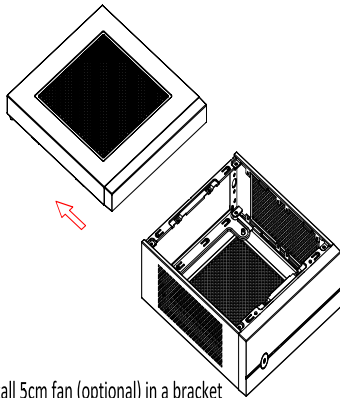
3. Slide the top cover onto the chassis and use two screws to fix it.



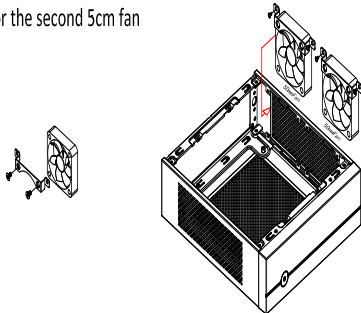
4. Fix the wall mounting plate in the required place (backside of the monitor, wall)
5. Hang the case onto the wall mounting.

D. How to install slim size ITX motherboard with i3 CPU with cooler with 2 x 2,5" HDDs/SSDs (optional kit MK-35DV)

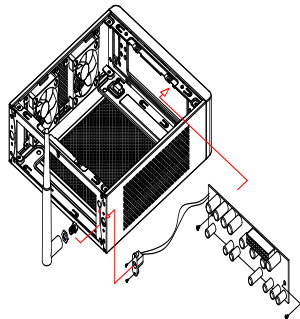
1. Unscrew the top cover and slide it off the chassis



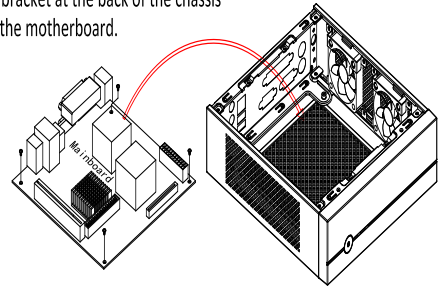
2. By using 2 screws install 5cm fan (optional) in a bracket and then screw the bracket to the side wall of the case. Repeat for the second 5cm fan



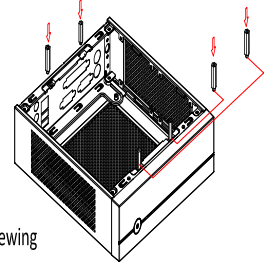
3. Install the DC-DC board at the front panel. Fix the PSU connector to the back of the chassis, either on the left or on the right side. Install optional



4. Fix the I/O bracket at the back of the chassis and install the motherboard.

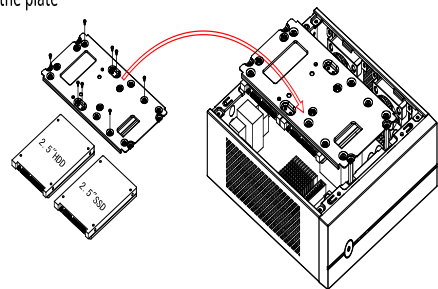


5. Put the 20mm metal pins in the 4 holes of the chassis



6. Install up to two 2,5" HDDs/SSDs by screwing them to the metal plate as shown.

Then install the plate on the chassis by inserting the pins in the holes in the plate



7. Slide the top cover onto the chassis and use two screws to fix it.

